

V300 BODY-WORN CAMERA

Continuous-operation body-worn camera keeps officers moving forward.



KEY FEATURES

INTEGRATED WITH VEHICLE VIDEO SYSTEM

One or more V300 cameras and a 4RE® in-car system can work seamlessly as a single solution, capturing synchronized video of an incident from multiple vantage points.

AUTOMATIC WIRELESS UPLOAD

Send critical video back to headquarters while still in the field. When docked, the V300 uploads to evidence management systems via wireless networks like LTE, anytime, anywhere.

DETACHABLE BATTERY

Easily change the V300's rechargeable battery while on the go. Keep an extra battery at the ready for unexpectedly long shifts.

NATURAL FIELD OF VIEW

Eliminate the fisheye effect from wide-angle lenses that warps video footage. Distortion correction technology provides a clear and complete evidence review process.

SECURE ENCRYPTION

Elevate your data security with encryption at rest and in transit technology. V300 guards your data and your reputation.

CRITICAL EVIDENCE RECOVERY

Never miss capturing a critical incident even days after it happened and a recording wasn't activated.

SYSTEM

Temperature Range (Operational)	-20°C to +60°C; -4°F to +140°F
Field of View	130° Horizontal 73° Vertical, adjustable up + 15° down - 20° (User can adjust vertical field of view)
Dimensions	3.5 in (H) x 2.4 in (W) x 1.1 in (D); 8.9 cm (H) x 6.1 cm (W) x 2.8 cm (D)
Battery Dimensions	2.4 in (H) x 2.5 in (W) x 0.6 in (D); 6.0 cm (H) x 6.4 cm (W) x 1.6 cm (D)
Battery Weight	3.5 oz (99.2 g)
Combined Weight	6.8 oz (192.8 g)
MIL SPEC	MIL-STD-810G
Ingress Protection (IP) Rating	IP67
GPS	Yes
Bluetooth®	Yes 5.0
Wi-Fi®	802.11 n
LCD Display	Battery condition, Memory space used and available, Number of recordings, Incident categories, Current recording duration, Current time/date, Assigned officer name, covert recording status, error codes, Wi-Fi, GPS.
Activity Indicators	Multi-tone speaker, Vibration motor, Colored LED indicators.
Mounting Options	Magnetic Chest Mount Designed to fit perfectly over shirt placket buttons and zippers. MOLLE Mount Two adjacent loops across 2 rows of MOLLE webbing secures the camera to your uniform.



VIDEO RECORDING

Resolutions	1920x1080 (1080p), 1280x720 (720p), 864x480 (480p).
Frames per second	30, 15, 10 and 5 fps (Configurable per agency requirements).
Storage Capacity	128GB / 23 hours of 1080p HD video; 46 hours of 720p HD Video; 114 Hours of 480p SD Video.
Video Compression	H.264 High Profile - reduces file sizes by nearly 50% and provides best image quality to file size ratio.
Group Recording Activation	Integrates with 4RE in-car video system and other V300 body-worn cameras. Bidirectional activation.
Dewarping	Vertical dewarping (removes fisheye effect).
Image Sensor*	4K sensor.
Pre-Event Options	None, 15s, 30s, 45s, 1m, 2m Continuous background recording also available.
Redundancy	Record-After-The-Fact

*Image sensor is 4K but is used for digital turret adjustment. Recording maximum resolution is 1080p.

AUDIO RECORDING

	AAC Audio.
	Acoustic foam chamber blocks wind noise.
High Quality Audio	High-tech membrane blocks water but not sound.
	Dual Audiophile quality solid state microphones, eliminate wind noise.

BATTERY

Type	Lithium Polymer, field-swappable, rechargeable .
Stand-by	Will vary on configuration.
Charging Time	< 4 hours**.

EVIDENCE MANAGEMENT

Evidence Library	Store, manage and share evidence in a cloud-hosted or on-premises system.
------------------	---

**Using ethernet transfer station.

V300 CAMERA & ACCESSORIES



WGA00625



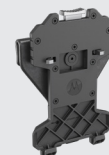
WGP02614



WGA00635



WGA00650



WGP02836

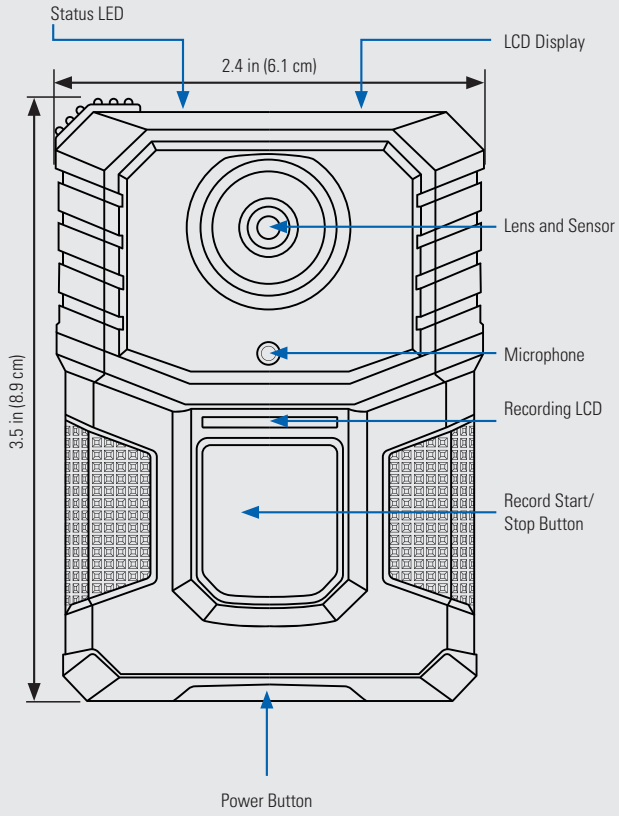


WGP02798

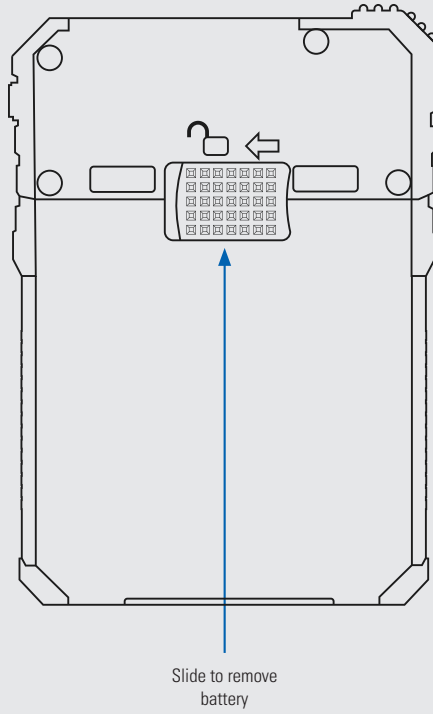
GET THE MOST OUT OF YOUR V300 BODY-WORN CAMERA

WGA00625	V300 Body-Worn Camera
WGP02614	Spare Camera Battery
WGA00635	Wi-Fi Camera Docking Base
WGA00650	Ethernet Transfer Station
WGP02798	Magnetic Camera Mount
WGP02836	MOLLE Camera Mount

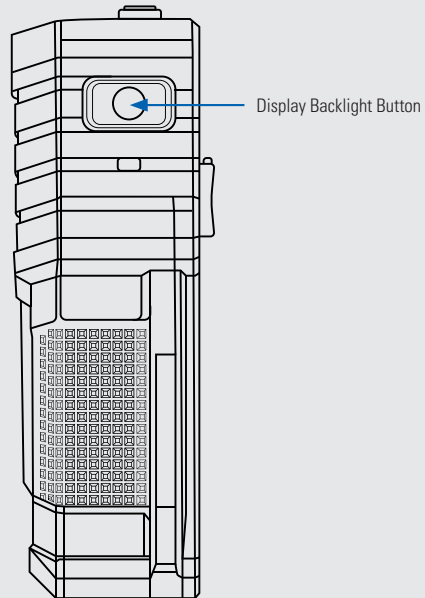
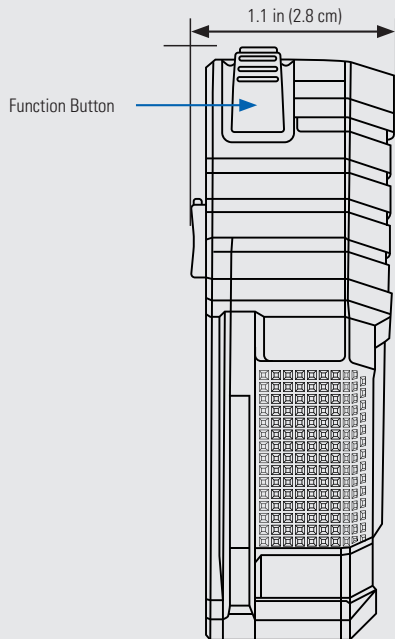
Front



Back



Side





For more information, please visit: www.motorolasolutions.com/v300

Motorola Solutions Inc., 500 W Monroe St, Chicago, IL 60661. U.S.A

Availability is subject to individual country law and regulations. All specifications shown are typical unless otherwise stated and are subject to change without notice. MOTOROLA, MOTO, MOTOROLA SOLUTIONS and the Stylized M Logo are trademarks or registered trademarks of Motorola Trademark Holdings, LLC and are used under license. All other trademarks are the property of their respective owners.
© 2021 Motorola Solutions, Inc. All rights reserved.(01/21) (V13) (US)

